

# WSI Modular Flexible Lab Benches



**Woman Owned ~ Small Business ~ Ca Local Facility**

# *Local, Santa Ana Ca Facility*

**CNC Break Press**



**3D Engineering Drawings**



**Plug & Play Delivery**



**Mig, Tig & Spot Welding**



**CNC Punch press**



**Epoxy Powder Paint Finish**



# Modular Lab Furniture



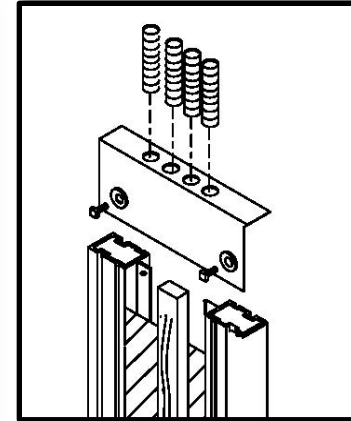
- \* Drawers can be mobile or suspended
- \* 100 or 150 lb ball bearing drawer suspension
- \* Multiple drawer configurations to choose from.

- C2 Double sided Starter/ Adder configuration, benches adjust independently by either manual hand cranks or by using either a hydraulic hand crank or EL motor. "ADA Compliant."
- Work surface adjustment range 24 – 42" H
- Shelving adjustment range, 8" above the work surface (due to EL Box) to the top of the upright
- Gas and/or water turrets can be deck mounted or can be mounted on the upright.
- Utilities, (Data, Air, Water, Power) can all run inside the UL listed uprights, can be interconnected.



# Utility Management

## Power Pole and Utility Duct Ways



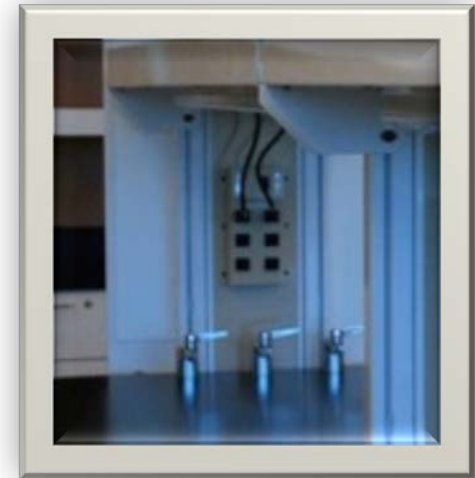
- Conduit landing bracket (top left) mounts on top of power pole for utility connections.
- Data Raceway is used to isolate data cables from power.
- Raceways can support and bring four utility services down from the ceiling and into the power pole, then into the Lab bench.
- A finished shroud is used to hide ceiling connections.
- UL Listed Utility Raceway (bottom center) with steel dividers and steel top cap, mounts in between uprights for utilities interconnection, (Data, Power, Water) and from bench to bench.
- Lab Bench Installation (bottom left) displays over six circuits of power and three Cat 5 data cables per bench with no visible trace of wires or cabling.



# Electrical Power Configuration



- UL listed, 15A or 20 Amp EL service
- Hard wired at the shop:
- Black outlets for 110-15A or 20A power
- Grey outlets for UPS (dedicated) power
- Orange outlets for battery back up or Emergency power
- GFI (ground fault interruption) outlets for sink and/or water applications



# Fixed Casework



## Fixed case goods:

- Upper wall cabinets
- Hinged for sliding, glass or steel doors

## Base cabinets

- Multiple drawer and door configurations
- 100 Lb or 200 lb full extension drawer slides
- Drawer pulls come with 4" wire pulls, or full finger pulls





# Fixed Casework Islands



Island come 48 or 60 wide, Adjustable stanchion (left) for shelving or solid riser panels (right), both can have 15A or 20A EL service and utility management



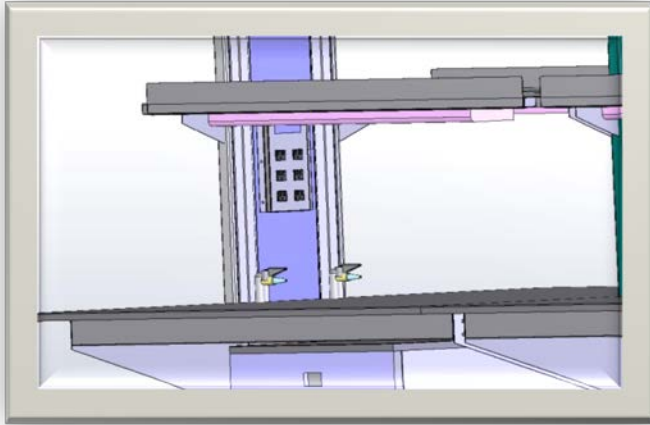
# Lab Cabinets and Fume Hoods



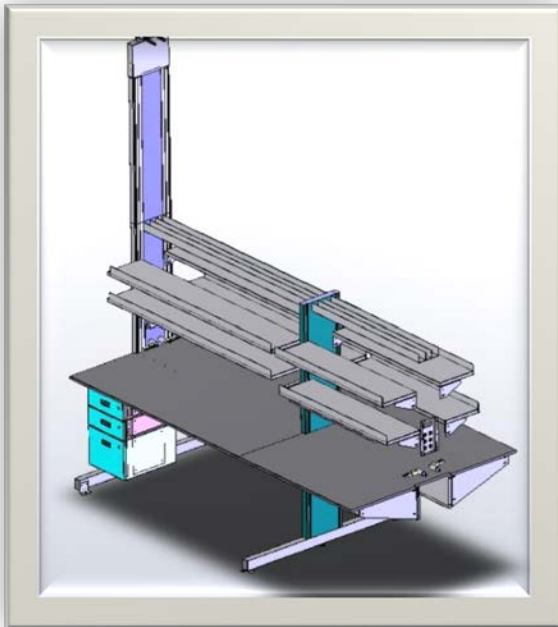
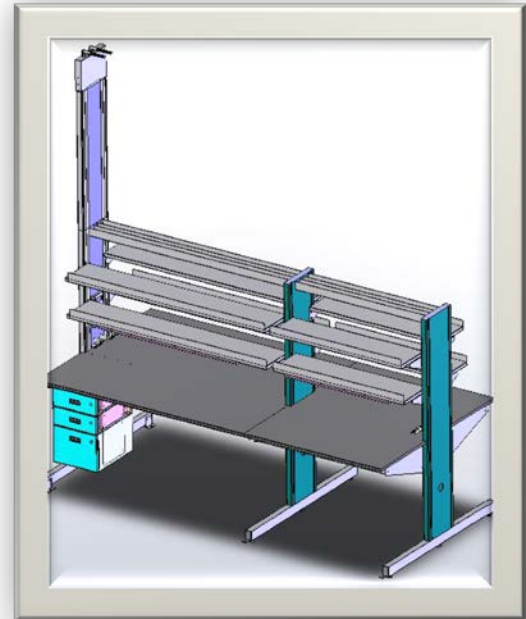
- Chemical vented Fume Hoods & Cabinets
- \* Corrosion, Flammable Cabinets,
  - \* Gas, Vac and Air Valves,
  - \* ADA Compliant, Benches, Hoods, Cabinets
  - \* Cup sinks, Resin and Stainless Steel Sinks
  - \* C/H & DI water goose neck faucets



# 3D Layout Drawings

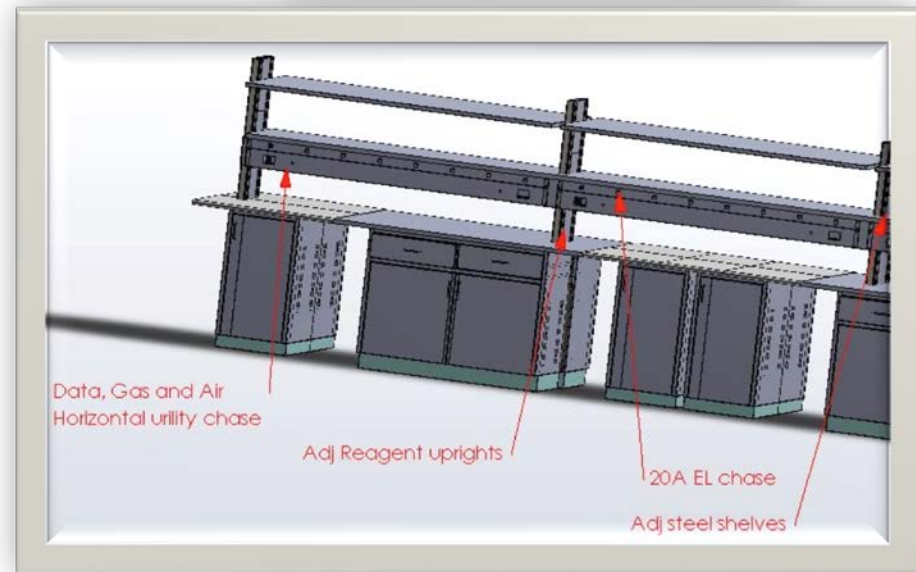


(Left) C2 DEC-20A power, data, gas & water valve, 12" deep shelf w/1.5" seismic, under counter LED light  
(right) C2 Double Sided Starter Lab bench 30 x 72 x 75"  
30 x 48 x 75 Adder, Interconnecting utility trough on top



60 x 120 overall island dimension, Trespa Resin Surface, Wire Management Trough w/lid on top, (2) Per side 12 x 72 steel shelf, hanging Box/File ped on 72" bench, work surface adjustment range 26 - 42"  
Optional Power pole

Base cab Island configuration (right)  
60 x 120 O/a dim



# Chemical and Flam cabinets



Flammable cabinet top right  
Acid cabinet top left



# Laboratory Customer List

Quest Diagnostics



Naval Surgical Training Lab, Ca



WA State University



Santa Clara University



Lawrence Berkeley National Labs



Fiske Brothers, Ohio

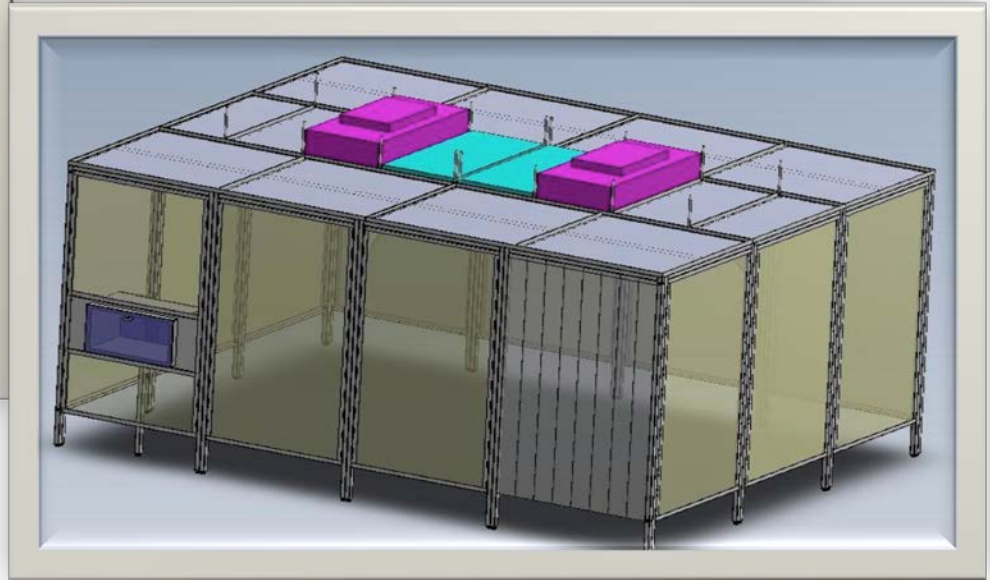




# Basic Production Style Lab Bench



# Portable Clean Rooms and benches



# Lab and ESD Seating

## 500 Series Clean Room Seating



## 500 Series Seating



## 2000 Series ESD Seating



## 1000 ESD Seating



- Ansi/Bifms Gov approved
- Clean Room & ESD Seating
- Class 10K and 100K Clean Room
- ESD dissipation  $>10/5^{\text{th}}$  and  $< 10/9^{\text{th}}$
- Drag chair or ESD casters
- HD Nylon base or Aluminum
- 20" adj foot ring
- **500** series manual adjustment
- **1000** series back angle tension adj
- **2000** series seat and back angle adj