

JBC

www.jbctools.com

INSTRUCTION MANUAL



FAE020

Flexible Arm ø50 mm

This manual corresponds to the following reference:

F AE020

Packing List

The following items are included:



Flexible Arm ø50 cm 1 unit
Ref. FAE020

Screws 3 units
DIN7982 - ø3.5x25 - black burnished
Ref. 0019142

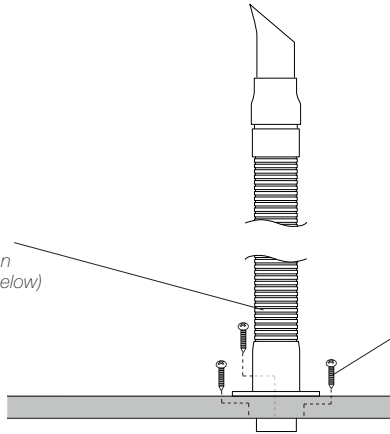


Manual 1 unit
Ref. 0019181

Assembly Example

FAE 020

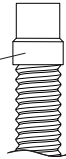
Flexible Arm \varnothing 50 mm
Take in mind the installation
dimensions (see page 5 below)



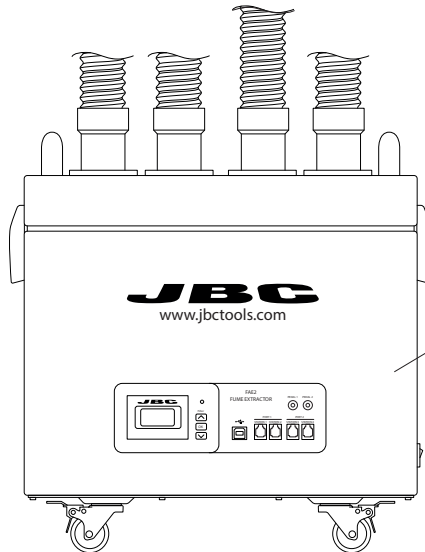
Fix the flange on your
workbench with the supplied
screws (more information at
page 6)

FAE010

Flexible Hose \varnothing 50 mm
Total length: ~1.6 m / ~63 in



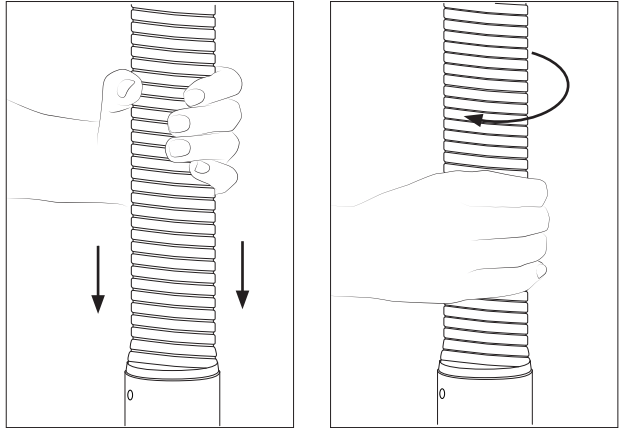
Connect the flexible Hose
to the flexible Arm



FAE2
Fume Extractor

Arm assembly

- When the flexible arm loses firmness, it must be re-compressed.
- For a greater compression, turn it slightly clockwise.
- Once the arm is compressed, adapt its position again.



Nozzles

You can replace the supplied nozzle and choose the one that best suits your needs.



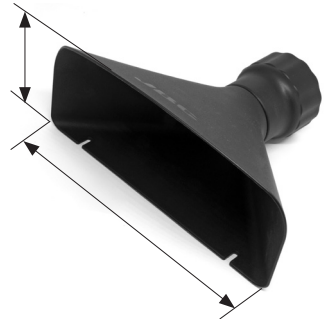
FAE080

Rectangular Nozzle for FAE
aprox. 170 x 90 mm /
6.69 x 3.54 in



FAE081

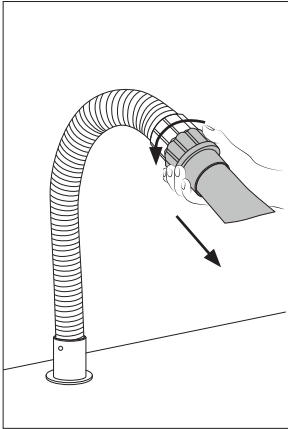
Round Nozzle for FAE
aprox ø 120 mm /
ø 4.72 in



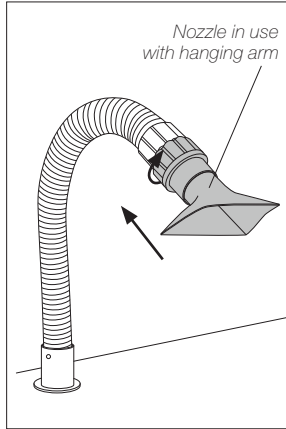
FAE082

Large Rectangular Nozzle for FAE
aprox. 227 x 107 mm /
8.94 x 4.21 in

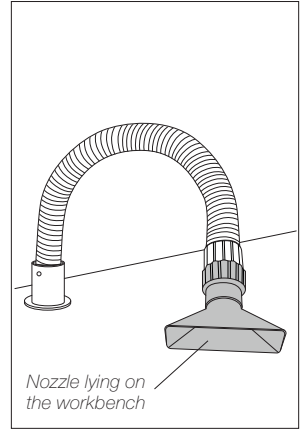
Nozzle Replacement



The bayonet system makes it easy to change the nozzle. To do this, hold the tube with one hand and with the other turn the nozzle counter-clockwise and pull it out to remove the nozzle.



To install a new nozzle, turn the nozzle bayonet clockwise to lock it in place.

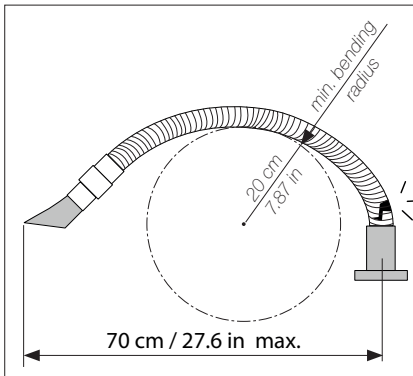


The nozzles are designed in such a way that they can be used with a hanging arm or be lying on the workbench.

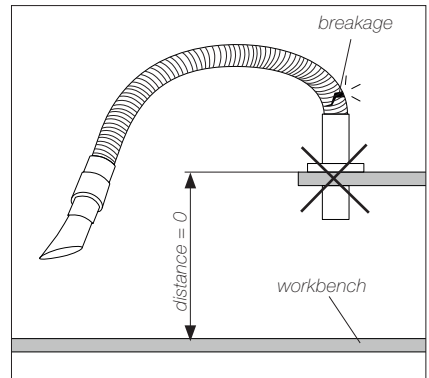
Installation Guide Line

To protect flexible arm tube from braking follows this installation guide line.

Note: In case of a breakage, the windings can be plugged back into each other. To do this, align the windings with one another and push them back together with strength.



To avoid breaking the arm, do not extend the arm more than 70 cm / 27.6 inches from the center of its base and do not go below the minimum bend radius of 20 cm / 7.87 inches.

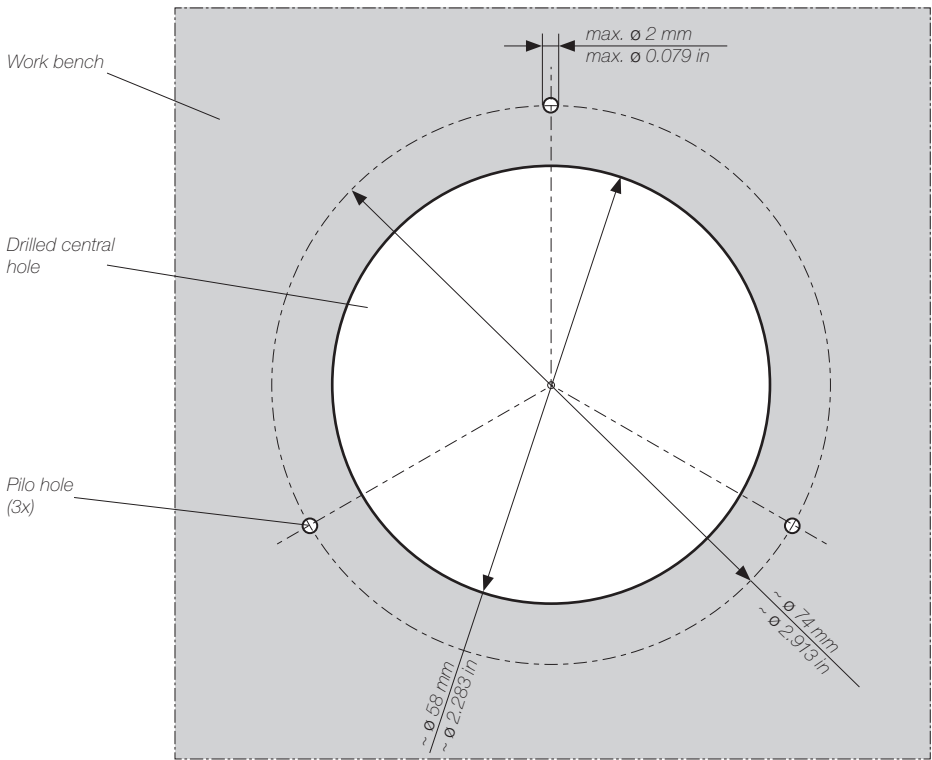


Do not install the flexible arm on shelves or higher levels than the work bench. Forced bending radii can cause the arm to break.

Dimensions Scheme for FAE020 Fixing

To assemble the flexible arm FAE020 (Ø50) for the first time follow these instructions:

- First make the large central hole in your workbench as shown in the drawing below.
- Place the FAE020 flange in the opening and mark the points for the three pilot holes.
- Take out the flange and drill the three holes at the marked spots. The hole diameter can be found in the dimension scheme:



Notes

Specifications

F AE020

Flexible Arm \varnothing 50 mm

Ref. FAE020

- Inner Tube Diameter: \varnothing 50 mm / \varnothing 1.97 in
- Total Net Weight: 1,76 kg / 3.88 lb
- Package Dimensions / Weight: 1050 x 170 x 120 mm / 2.5 kg
(L x W x H) 41.34 x 6.69 x 4.72 in / 5.51 lb

Complies with CE standards.
ESD safe.

JBC

Warranty

JBC's 2 year warranty covers this equipment against all manufacturing defects, including the replacement of defective parts and labour.

Warranty does not cover product wear or misuse.

In order for the warranty to be valid, equipment must be returned, postage paid, to the dealer where it was purchased.



This product should not be thrown in the garbage.

In accordance with the European directive 2012/19/EU, electronic equipment at the end of its life must be collected and returned to an authorized recycling facility.



www.jbctools.com