

light source

work equipment
connected load
Power consumption
luminous flux
luminous efficacy
light distribution
color temperature
color rendering index (CRI)
glare control
System of protection
class of protection
technology
operation
luminaire body

lamp cover
weight (net)
mains supply

design
Fastening
dimension

special features

LED

Energy efficiency category A/A+/A++

without

22-26 V; DC

approx. 7,5 W

approx. 945 lm

approx. 126 lm/W

direct

neutral white, approx. 5000 K

>= 80

screen

IP54

III

multi-stage switchable

external

aluminium/plastic, anodised; painted, aluminium coloured
anodised

Acrylic satine

approx. 0.3 kg (0.66 lb)

built-in plug

M12-A-5

mounted version

bracket

A=475mm, C=430mm, C1=460mm

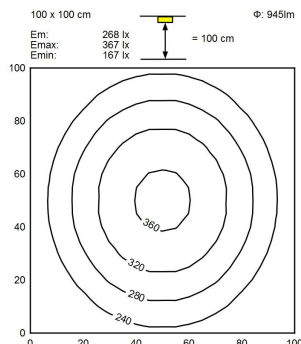
A=18.7 in, C= 16.92 in, C1=18.11 in

ADVANCED package, through-wired



M12-A-5

illuminance



luminous intensity

