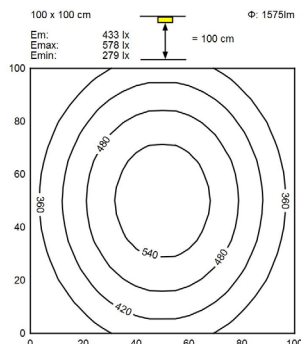


light source	LED
work equipment	Energy efficiency category A/A+/A++
connected load	without
Power consumption	22-26 V; DC
luminous flux	approx. 15 W
luminous efficacy	approx. 1575 lm
light distribution	approx. 105 lm/W
colour temperature	direct
color rendering index (CRI)	neutral white, approx. 5000 K
glare control	> 80
System of protection	screen
class of protection	IP54
technology	III
operation	switchable
luminaire body	external
	aluminium/plastic, anodised; painted, aluminium coloured
	anodised
lamp cover	Acrylic satine
weight (net)	approx. 0.3 kg, (0.66 lb)
mains supply	built-in plug
	M12-A-5
design	mounted version
Fastening	bracket
dimension	A=755mm, C=710mm, C1=740mm
	A=29.72in, C=27.95in, C1=29.13in
special features	through-wired



illuminance



luminous intensity

