



fitted with

connected load
 power consumption
 luminous flux
 luminous efficacy
 light distribution
 light color
 color rendering index (CRI)
 glare-free
 system of protection
 class of protection
 technology
 usage
 luminaire body
 lamp cover
 tubular sections
 weight (net)
 mains lead
 fastening
 special features

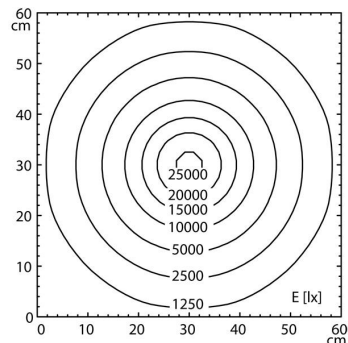
LED

22-26 V; DC
 approx. 5 W
 approx. 490 lm
 approx. 98 lm/W
 direct, narrow-angled beam neutral white,
 approx. 5000 K
 > 70
 screen
 IP 67
 III
 switchable
 pressure switch
 aluminium, painted, black
 glass screen
 flexible metal tube, black
 approx. 1.6 kg (3.5 lbs)
 approx. 3 m (9.8 ft); with free stranded wires
 screw-down flange
 Spot with a 10° angle of radiation

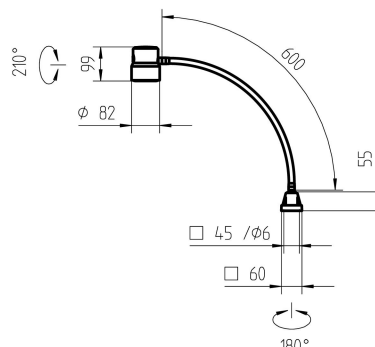
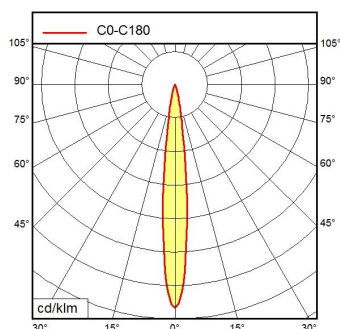


illuminance

distance: 50 cm
 Em: 4520 lx
 Emax: 26130 lx
 Emin: 474 lx



luminous intensity



dimensions in mm