

Omega 5™

MAGNIFIER

Fact Sheet



The Omega 5 Magnifier has a 12.7cm diameter glass lens with 3 dioptres (1.75X) magnification. An additional 5 dioptres (2.25X) magnification lens is also included. It comes with 4 brightness levels to suit your needs. The internal spring arm allows accurate positioning. The aesthetically pleasing white and grey finish fits perfectly within any professional environment.

LED 6,000K daylight

5,500 Lux at 6"

4 brightness levels



LIGHT QUALITY



ERGONOMICS



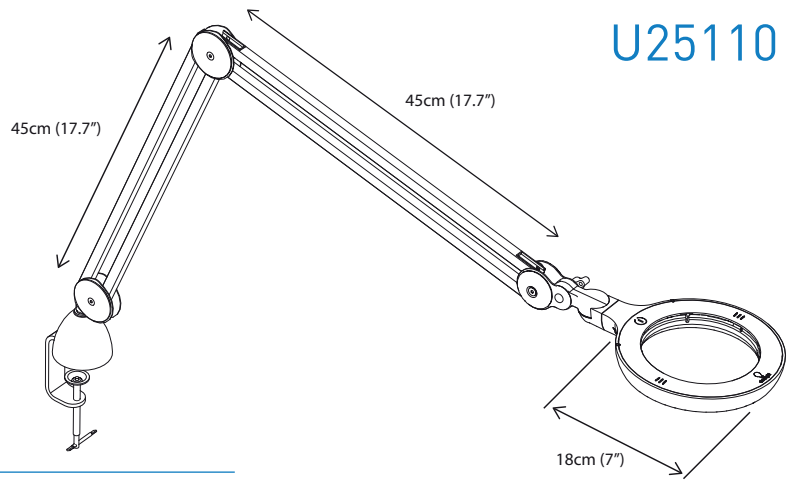
DESIGN

daylightcompany.com

Omega 5™

MAGNIFIER

U25110



FEATURES

- Ø 5"
- Glass lens
- 3 dioptres (1.75X) and 5 dioptres (2.25X) lenses included
- 4 brightness levels
- Long reach 42"
- Adjustable head joint with wing nut

SPECIFICATIONS

Product information

Weight	6.4lb
Colour	White / Grey
Lens size	102.4"

Light output

Light source	LEDs
Lumens	548 lm
Lux at 6"	5,500
Colour temperature	6,000K
CRI	80+
Energy consumption	8W

Packaging information

Height	16.5"
Width	21.2"
Depth	4"
Packed weight	8.2lb
Products per master carton	2

ACCESSORIES

U53060 Floorstand

Height	28.3"
Width	25.9"
Weight	17.8lb

