

iQ™

MAGNIFIER

Fact Sheet



The iQ magnifier has a 7" lightweight acrylic lens offering a large field of view. The magnifying head moves freely and holds any position - maximising horizontal and vertical movements. The heavy-duty internally sprung arm provides good horizontal reach and will stay in place. A 12 diopters (4.0X) magnification lens mounted on a swing arm is also included. Lateral protections help you keep it clean. The magnifier is fitted with a removable lens protector.



LIGHT QUALITY



ERGONOMICS



DESIGN

LED 6,000K daylight

6,300 Lux at 6"

4 brightness levels

daylightcompany.com

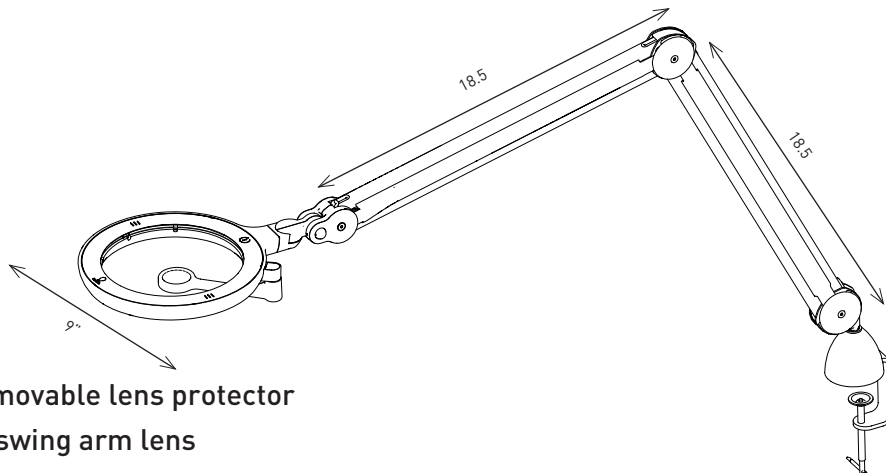
iQ™

MAGNIFIER

U25100

FEATURES

- Acrylic lens with anti-scratch coating, removable lens protector
- 3 diopters (1.75X) with 12 diopters (4.0X) swing arm lens
- 4 brightness levels
- Long reach 46.5"
- Covered arms with internal springs



SPECIFICATIONS

Product information

Weight	7.9lb
Color	Grey/white
Cable length	78"

Light output

Light source	LED
Lumens	814lm
Lux at 15 cm (6")	6,300
Color temperature	6,000K
CRI	80+
Energy consumption	12W

Packaging information

Height	24.4"
Width	20.8"
Depth	4.1"
Packed weight	10.8 lb
Products per master carton	2