

BENCHPROTM
...Rock Solid

NEW PRODUCT

INDUSTRIAL GRADE STAINLESS STEEL CLEANROOM PASS-THROUGH CABINET

- 16 ga. 304 Stainless Steel #4 Brushed Finish.
- Wall Mounting Brackets Included.
- Double-Wall Industrial Construction.
- Easy to Wipe Down and Clean.
- Interlocking Doors.
- All 304 Stainless Hardware.
- Clear Tempered Safety Glass Viewing Windows.
- PVC Closed Cell Foam Gasket.
- Stich Seam Welding.
- Allows Contamination-Free Transfer of Materials in and Out of the Cleanroom.
- 12", 14", 18", 24" and Custom Sizes.
- 25 Year Unconditional Warranty.

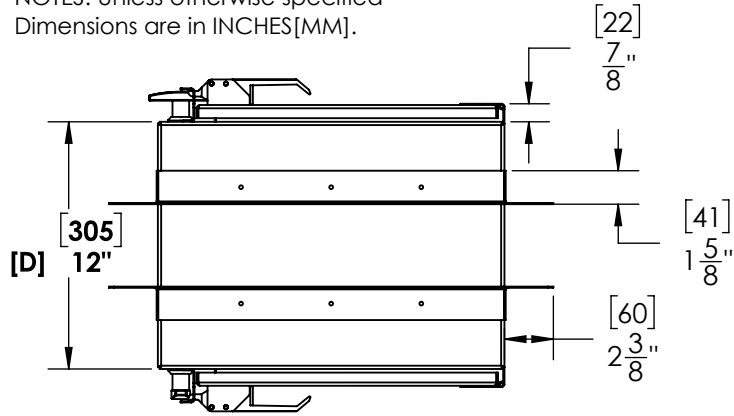


BenchPro™ pass-throughs, designed without crevices, are suitable for cleanroom & pharmaceutical applications requiring controlled air spaces and moderate sterilization protocols.

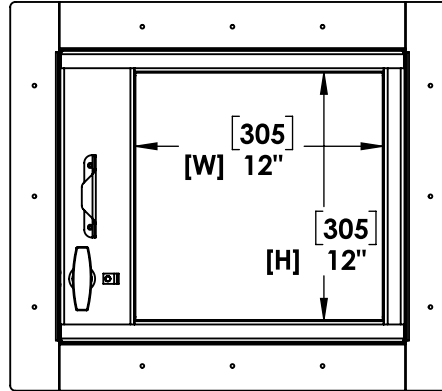
12" CABINET SPECIFICATIONS

REV.	DATE
A	1/14/2021

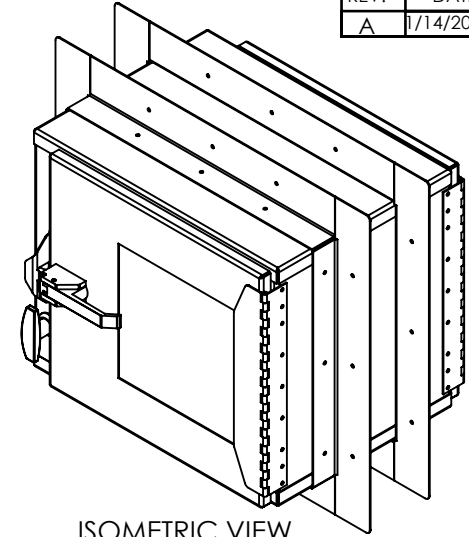
NOTES: Unless otherwise specified
Dimensions are in INCHES[MM].



TOP VIEW



FRONT VIEW
WITHOUT DOORS



ISOMETRIC VIEW

FEATURES:

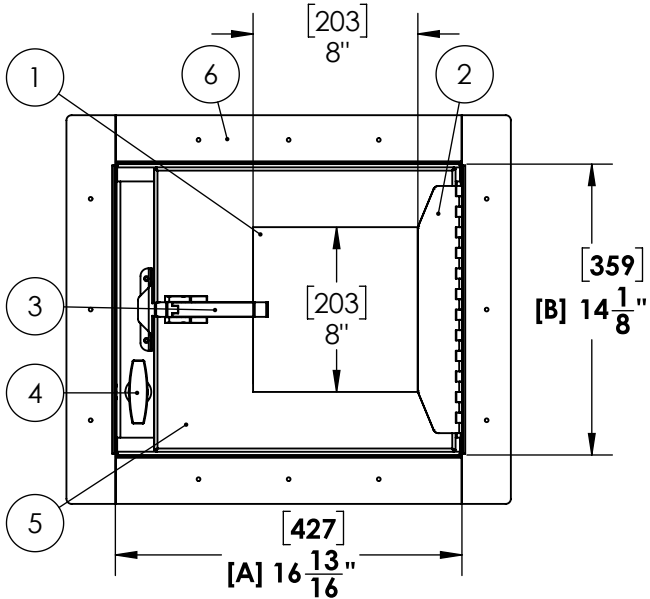
1. Clear Tempered Safety Glass
2. Stainless Steel Hinges
3. Stainless Steel Compression latch
4. Stainless Steel T-Handles Interlock
5. Stainless Steel Door Frame
6. Stainless Steel Mounting Frame Set (8 pcs.)

INTERLOCK OPERATION

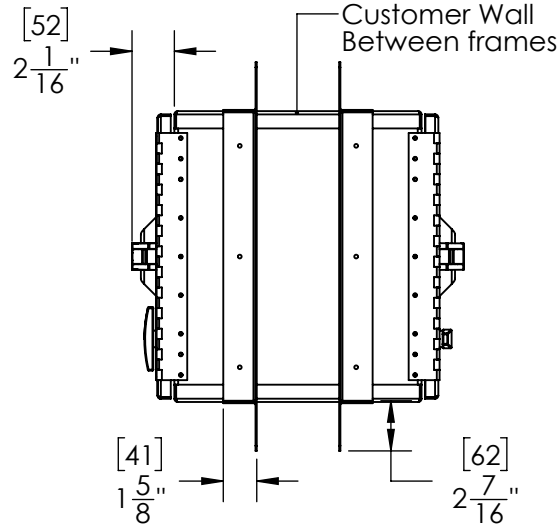
Turn The Interlock Handle ④ 90° To Unlock The Side,
Then Pull the Door Latch To ③ Open The Door.
(Only one side can be unlocked at a time)

Pass Thru Dimensions:

W = Inside Width
H = Inside Height
D = Inside Depth
A = W + 4 13/16 "
B = H + 2 1/8 "



FRONT VIEW



RIGHT VIEW

PROPRIETARY INFORMATION

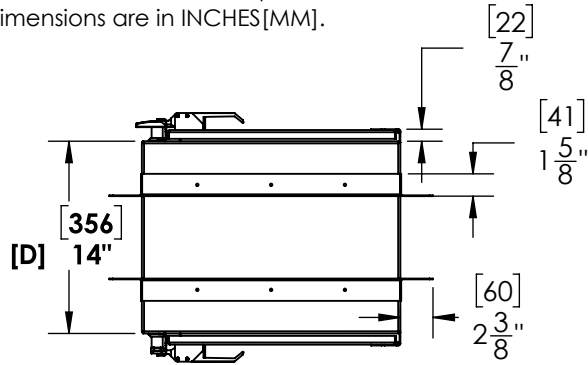
BENCH PRO™

TITLE: Pass Through 12"		MATERIAL: ss ea 16	
23949 Tecate Mission Rd Tecate, CA 91980		FINISH:	
DIMENSIONS ARE IN INCHES		DRAWN: RAFAEL RUIZ	SHEET
TOLERANCES DECIMALS		CHECKED:	1 - 1
.XX ± 0.01		ENG APPR:	
.XXX ± 0.005			

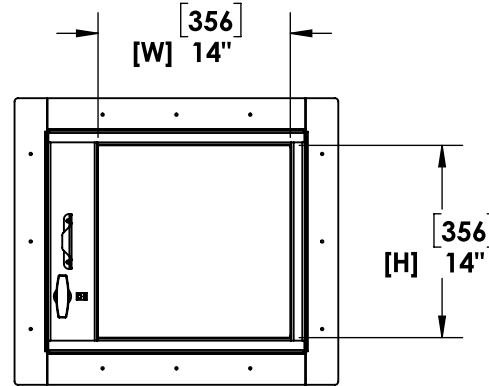
14" CABINET SPECIFICATIONS

NOTES: Unless otherwise specified
Dimensions are in INCHES [MM].

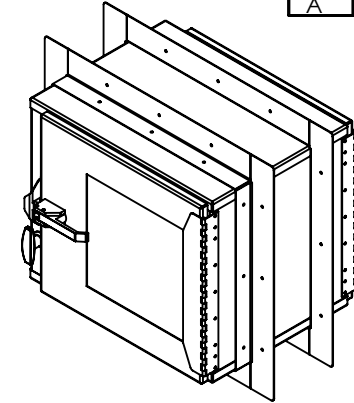
REV.	DATE
A	1/14/2021



TOP VIEW



FRONT VIEW
WITHOUT DOORS



ISOMETRIC VIEW

FEATURES:

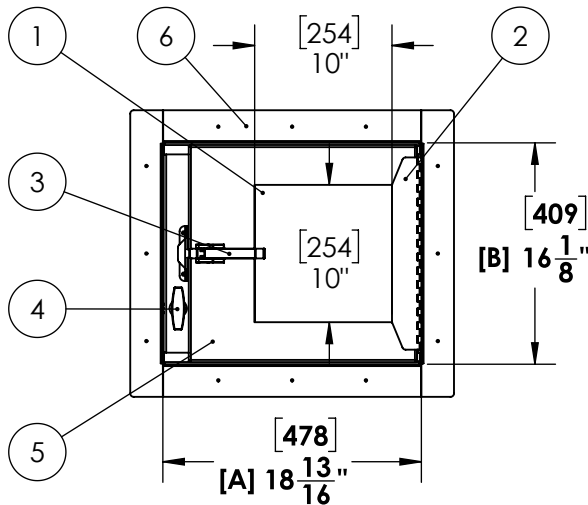
1. Clear Tempered Safety Glass
2. Stainless Steel Hinges
3. Stainless Steel Compression latch
4. Stainless Steel T-Handles Interlock
5. Stainless Steel Door Frame
6. Stainless Steel Mounting Frame Set (8 pcs.)

INTERLOCK OPERATION

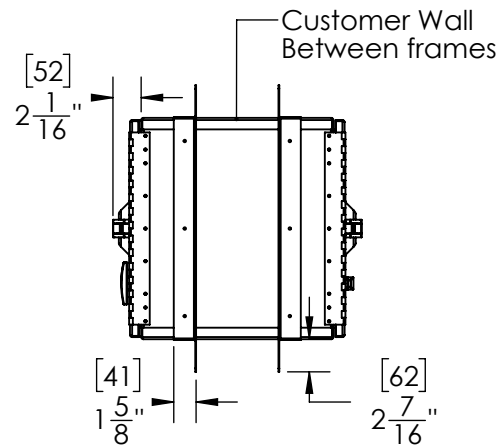
Turn The Interlock Handle ④ 90° To Unlock The Side,
Then Pull the Door Latch To ③ Open The Door.
(Only one side can be unlocked at a time)

Pass Thru Dimensions:

W = Inside Width
H = Inside Height
D = Inside Depth
A = W + 4 13/16 "
B = H + 2 1/8 "



FRONT VIEW



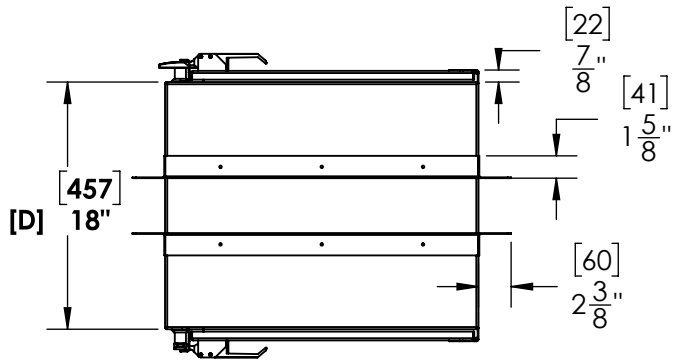
RIGHT VIEW

PROPRIETARY INFORMATION
BENCH PRO™

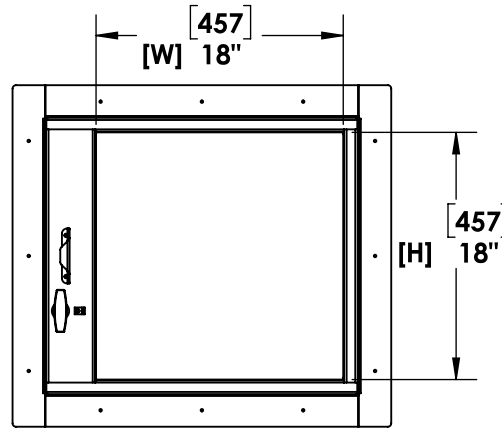
TITLE: Pass Through 14"		MATERIAL: 304 SS	
23949 Tecate Mission Rd Tecate, CA 91980		FINISH:	
DIMENSIONS ARE IN INCHES	DRAWN: RAFAEL RUIZ	CHECKED:	SHEET: 1 - 1
TOLERANCES DECIMALS	.XX ± 0.01	ENG APPR:	
	.XXX ± 0.005		

18" CABINET SPECIFICATIONS

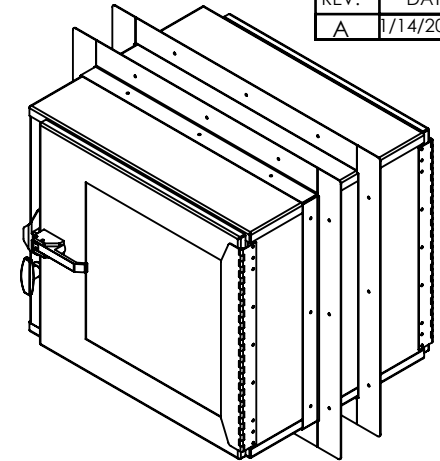
NOTES: Unless otherwise specified
Dimensions are in INCHES[MM].



TOP VIEW

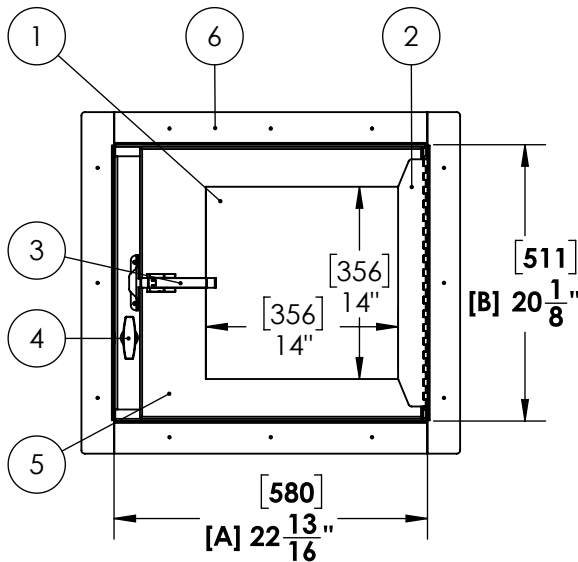


FRONT VIEW
WITHOUT DOORS

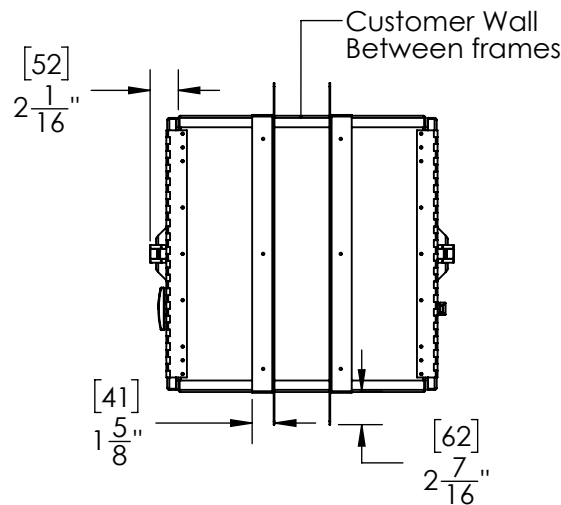


ISOMETRIC VIEW

REV.	DATE
A	1/14/2021



FRONT VIEW



RIGHT VIEW

FEATURES:

1. Clear Tempered Safety Glass
2. Stainless Steel Hinges
3. Stainless Steel Compression latch
4. Stainless Steel T-Handles Interlock
5. Stainless Steel Door Frame
6. Stainless Steel Mounting Frame Set (8 pcs.)

INTERLOCK OPERATION

Turn The Interlock Handle ④ 90° To Unlock The Side,
Then Pull the Door Latch To ③ Open The Door.
(Only one side can be unlocked at a time)

Pass Thru Dimensions:

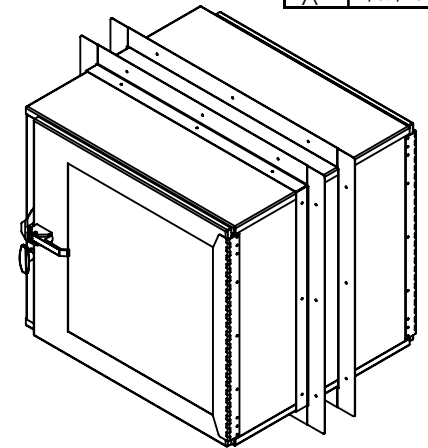
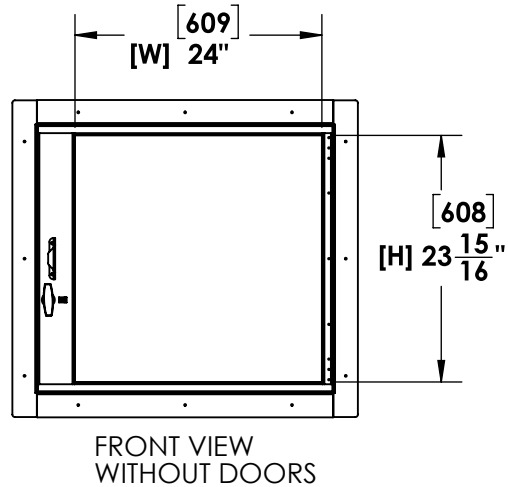
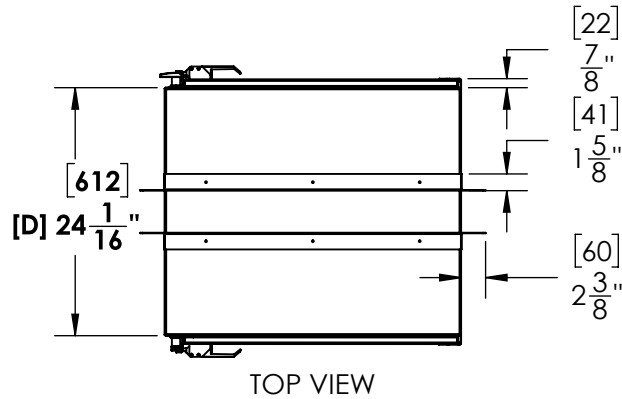
W = Inside Width
H = Inside Height
D = Inside Depth
A = W + 4 13/16 "
B = H + 2 1/8 "

PROPRIETARY INFORMATION
BENCH PRO™

TITLE: Pass Through 18"		MATERIAL: ss ea 14	
23949 Tecate Mission Rd Tecate, CA 91980		FINISH:	
DIMENSIONS ARE IN INCHES	DRAWN: RAFAEL RUIZ	CHECKED:	SHEET
TOLERANCES DECIMALS	.XX ± 0.01	ENG APPR:	1 - 1
	.XXX ± 0.005		

24" CABINET SPECIFICATIONS

NOTES: Unless otherwise specified
Dimensions are in INCHES[MM].



ISOMETRIC VIEW

FEATURES:

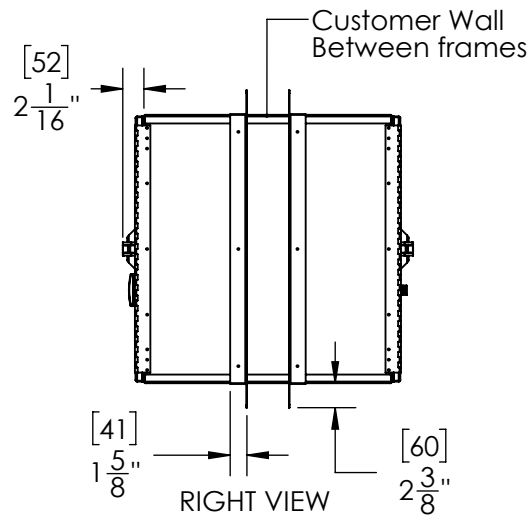
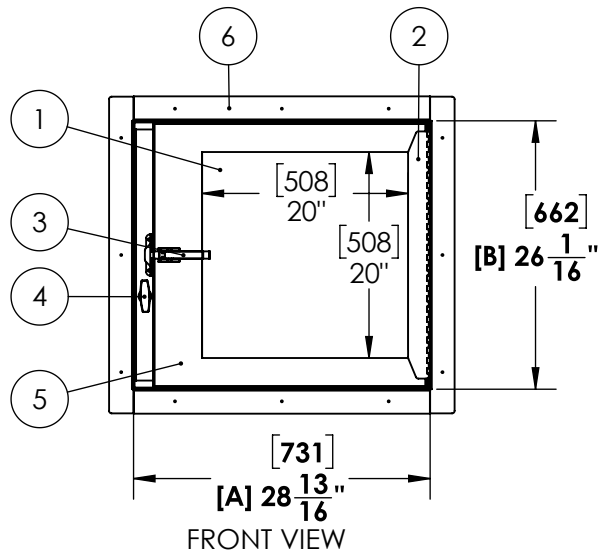
1. Clear Tempered Safety Glass
2. Stainless Steel Hinges
3. Stainless Steel Compression latch
4. Stainless Steel T-Handles Interlock
5. Stainless Steel Door Frame
6. Stainless Steel Mounting Frame Set (8 pcs.)

INTERLOCK OPERATION

Turn The Interlock Handle ④ 90° To Unlock The Side,
Then Pull the Door Latch To ③ Open The Door.
(Only one side can be unlocked at a time)

Pass Thru Dimensions:

W = Inside Width
H = Inside Height
D = Inside Depth
A = W + 4 13/16"
B = H + 3 14/16"



REV.	DATE
A	12/07/2020

PROPRIETARY INFORMATION			
BENCH PRO ™			
TITLE: Pass Through 24"		MATERIAL: 304 SS	
23949 Tecate Mission Rd Tecate, CA 91980		FINISH:	
DIMENSIONS ARE IN INCHES		DRAWN: RAFAEL RUIZ	SHEET
TOLERANCES DECIMALS		CHECKED:	1 - 1
.XX ± 0.01		ENG APPR:	
.XXX ± 0.005			