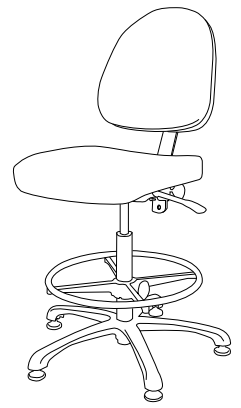




CHAIR ASSEMBLY INSTRUCTION GUIDE

for BEVCO INTEGRA CHAIRS

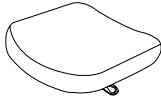
6000/9000 Series Non-Tilt Models



PARTS LIST



Back Support
w/Integrated
Support Bar
(1)



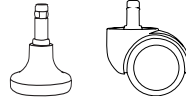
Seat w/control
Mechanism
(1)



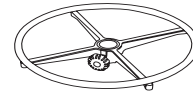
Five-star Base
(1)



Pneumatic
Cylinder
(1)



Glides/Casters
(5)

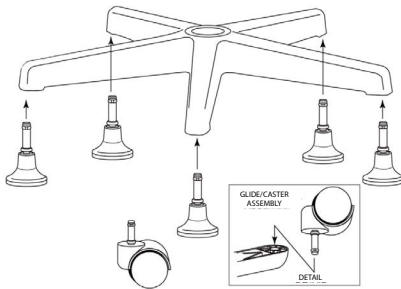


Footring
(optional)
(1)



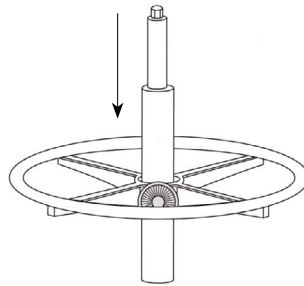
Armrests
(optional)
(2)

1



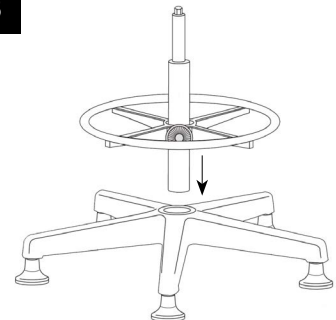
Insert glides or casters into each leg of the base.

2



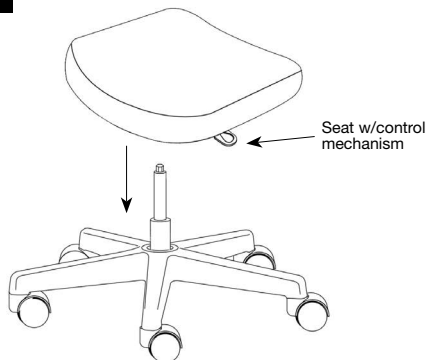
Slide footring (if enclosed) onto cylinder. Ensure the tubular ring faces upward. Tighten handwheel securely.

3



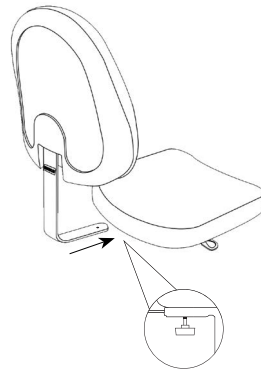
Slide the cylinder into the center of the base.

4



Place seat with control mechanism onto the end of the pneumatic cylinder. Sit on seat to secure fit onto cylinder.

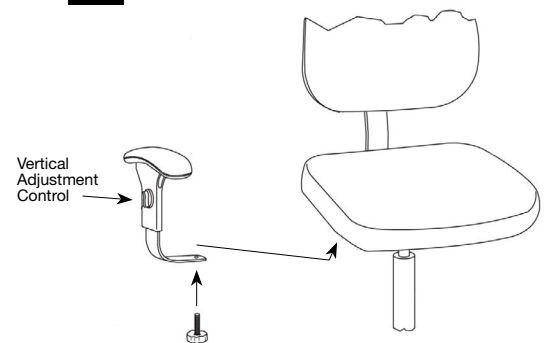
5



Slide the back support bar into channel of control mechanism attached underneath the seat. Tighten handwheel securely.

6

OPTIONAL ARMREST ASSEMBLY



Slide arm bracket into mounting plate attached underneath seat. Tighten handwheel securely.