

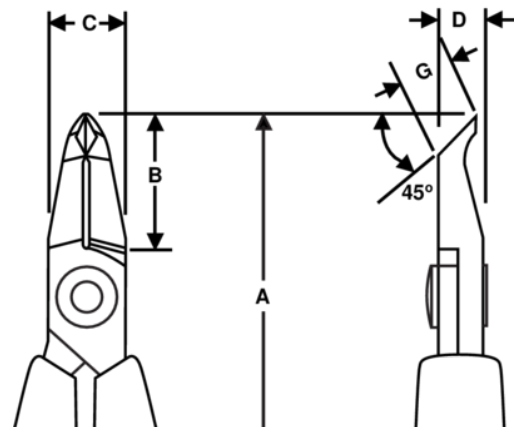
8248Q

45° Tapered & Relieved Extra Long Head Oblique Cutters with Unique Head 0.2 mm-0.8 mm



PRODUCT DETAILS

- 80 Series precision oblique cutter 45° with extra long & relieved head
- ESD safe mono-material handles with return spring
- Flush cut
- The cutting capacity given is for copper wire
- Suitable for cutting Cu
- High performance alloyed steel
- Burnished finish
- Numerically controlled machine grinding guarantees edge angle accuracy & contact, increases the tools reliability & consistency
- Precision induction hardened edges 63-65 HRC
- Screw joint that minimizes friction & maximizes alignment of cutting edges
- Ideal for rework & close assembly needs
- Extra long head for better accessibility in confined spaces



PRODUCT ATTRIBUTES

Product: **8248Q**

	Angle 45°		S		Ultra-Flush ®
	0.2-0.8 mm		0.00-0.03 in	A	117.5 mm
A	4.63 in	B	18 mm	B	0,71 in
C	10 mm	C	0.39 in	D	6 mm
D	0,24 inch	G	6,7 mm	G	0,26 in
	51 g	Ω	Dissipative		